



Hardened steel ice screw with aluminium hanger. Produced in three different lengths (12 cm, 17 cm and 22 cm) it is designed for variety of situations. The screw is best suited to be used for glacier tours and classic alpine climbs.

**DESCRIPTION**

Shaft made of hardened steel for higher strength and durability

Thin profile of the shaft allows easy screwing even in over-frozen ice [under -10°C]

Anti-corrosion coating of the shaft ensures high resistance against the rust

Produced in 3 length variants L12, L17 and L22



Four millimeters thick anodised aluminium hanger ensures better grip while screwing with even lower weight

Hanger is designed to provide good ergonomics while screwing, to ensure easy stacking on the holder and to allow clipping of two carabiners



Four high-quality sharp teeth make gear placement easier

**ATTENTION**

L12 ice screw do not comply with the strength requirement of EN 568 standard and therefore is not a PPE.

**KEY FEATURES**

- strength and durability
- improved ergonomics
- easy start of screwing

**STANDARDS**

CE 1019  
EN 568  
(only L17 and L22)

**FEATURES**

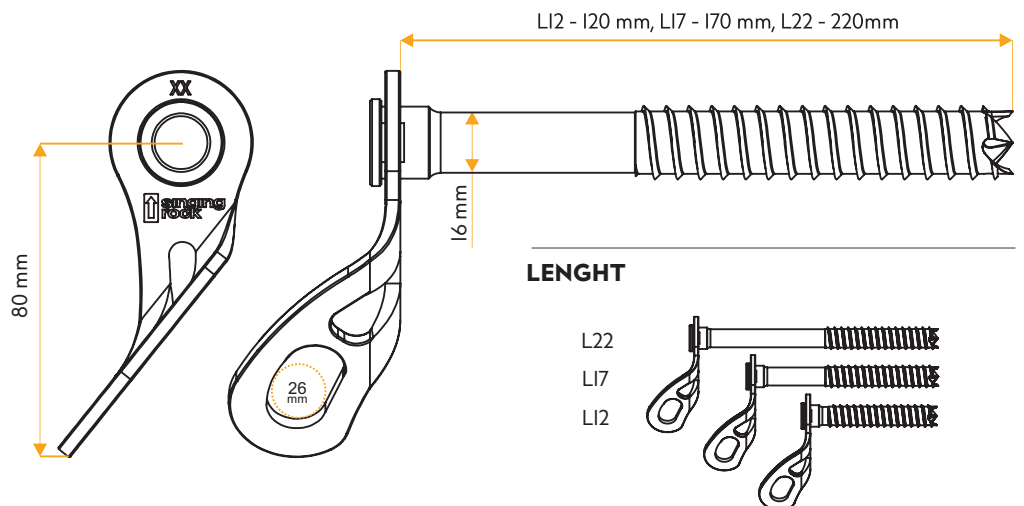
L12 < 8 kN L17 > 10 kN L22 > 10 kN	5 kN	L12 - 100 g L17 - 125 g L22 - 150 g	warranty

**MATERIALS**



- 90% hardened steel (shaft)
- 10% aluminium (hanger)

**TECHNICAL INFO**



**LENGTH**

