

↑ QUICKSPIN

Hardened steel ice screw with aluminium hanger. Produced in three different lengths (12 cm, 17 cm and 22 cm) especially for ice climbing. The integrated folding crank makes it easier and faster to screw in during more advanced climbing.

DESCRIPTION

Shaft made of hardened steel for higher strength and durability.

Thin profile of the shaft allows easy screwing even in overfrozen ice [under -10°C].

Four millimeters thick anodized aluminium hanger ensures better grip while screwing with even lower weight.

Produced in 3 length variants L12, L17 and L22. Color-coding facilitates identifying the length of a screw (blue, yellow, gray).

ATTENTION

L12 ice screw do not comply with the strength requirement of EN 568 standard and therefore is not a PPE.



KEY FEATURES

- strength and durability
- improved ergonomomy
- easy start of screwing

STANDARDS

CE 1019
EN 568
(only L17 and L22)

FEATURES



L12 < 8 kN
L17 > 10 kN
L22 > 10 kN



5 kN



L12 - 115 g
L17 - 135 g
L22 - 160 g



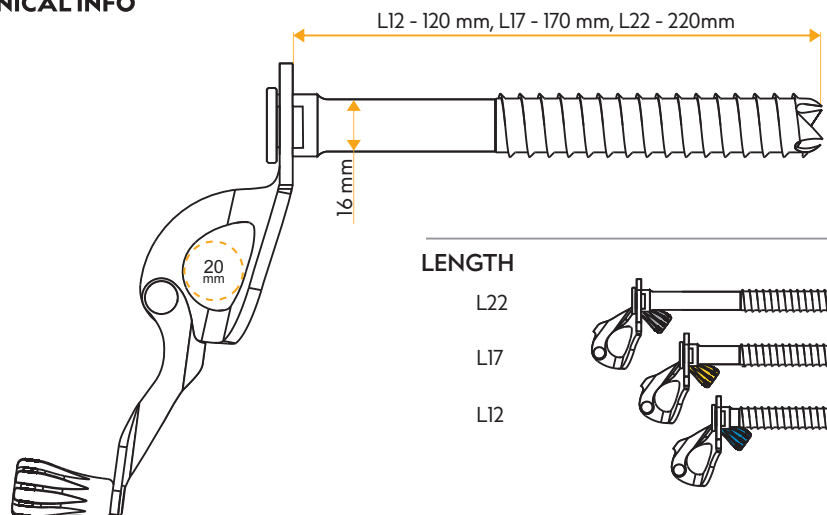
2 YEARS warranty

MATERIALS



- 90% hardened steel
- 8% aluminium
- 2% polyamid

TECHNICAL INFO



LENGTH

L22

L17

L12

